

**Before installation, de-installation or troubleshooting**

Stop the Electric legs

Switch off the power supply and pull out the mains plug.

Relieve the electric legs of any loads, which may be released during the work.

**Before start-up:**

Make sure that the system has been installed as instructed alongside.

Make sure that the voltage at the control box is correct before the system is connected to the mains.

System connection:

The individual parts must be connected before the control box is connected to the mains.

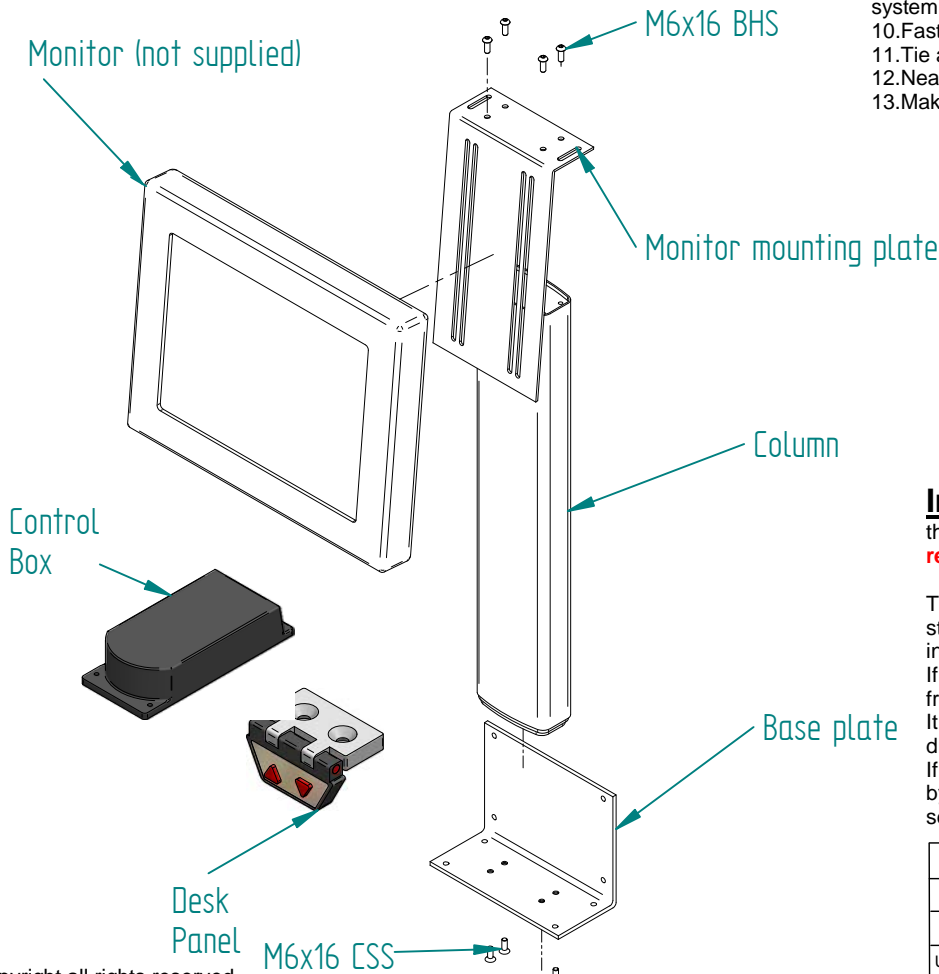
**During operation:**

If the control box makes unusual noises or smells switch off the mains voltage immediately.

Take care that the cables are not damaged.

Assembly Instructions-motionpc

1. Check all parts are supplied
2. Connect the "base plate" to the bottom of the column using 4 off M6x16 Countersunk Bolts. Make sure the cable from the column faces forward.
3. Connect the "Monitor" to the "Monitor Mounting Plate" making sure the top of the monitor aligns with the top of the mounting plate. (Use screws supplied with monitor).
4. Connect the "Monitor Mounting Plate" to the top of the column using 4 off M6x16 Button Head Bolts.
5. Connect the column to the control box using the "Motor Cable". Make sure the cable is plugged in to "port 1" of the control box.
6. Connect the "Desk Panel" to the control box.
7. Connect the Power Cable to the Control box.
8. Turn the power on.
9. Press the "Down" button on the desk panel for 5 seconds. The desk will rise and fall around 5mm and initialize the system.
10. Fasten the Desk Panel to the edge of the desk on the preferred side of the user, using two wood screws.
11. Tie all cable using "Cable Ties" and make sure no wires can be cut by the movement of the legs.
12. Neaten all loose cabling.
13. Make sure all screws are tight.



**Initialization of the column system** (only necessary if legs lose their position-this is recognized by the monitor being able to lower but not raise again) **When fitted in to the furniture make sure that the lift can retract 5mm below it's zero position. This is necessary if the system needs to be intialized.**

The system is initialized by pressing the "down" key once or twice and holding it down until the legs run into end stop. Once it reaches this position keep the "down" button pressed the legs will then automatically run approx. 5mm in and hereafter slowly running out again. Only release the "down" key when the movement has completely stopped. If the key is released before the sequence is complete then the initialization is interrupted and must be started again from the beginning.

It is sometimes necessary to press the "down" key twice to start the initialization this is because the system can be in different modes when the initialization starts.

If an error situation occurs at the end stop position or electric legs are changed, then the control box has to be reset by pressing the "up" and "down" keys simultaneously for a min. of 5 seconds, after which a new initialization sequence can be run.

© Copyright all rights reserved.

This drawing is the property of Ergomotion Pty Ltd. It may not be copied in whole or part nor can it be used for the manufacture of any equipment described without written permission of Ergomotion.

Ergomotion reserves the right to change, without notice, the specifications and materials contained in this drawing and shall not be responsible for any damages (including consequential) caused by reliance on the information presented.

Date	Revision	Description	Drawn By
Unless otherwise specified dimensions are in millimeters	Finish: Black (RAL9005) or Grey (RAL9006) Powdercoat	Material: 3 & 5 mm Thick Mild Steel	Sheet 1 of 1
Customer:		<b>ergomotion</b> PO Box 234, East Bentleigh, VIC, 3165 +61 3 95791454	
Designed by Guy Topolansky		<b>TITLE: Assembly guide for motionpc</b>	
		<b>Drawing number: Ergo</b>	