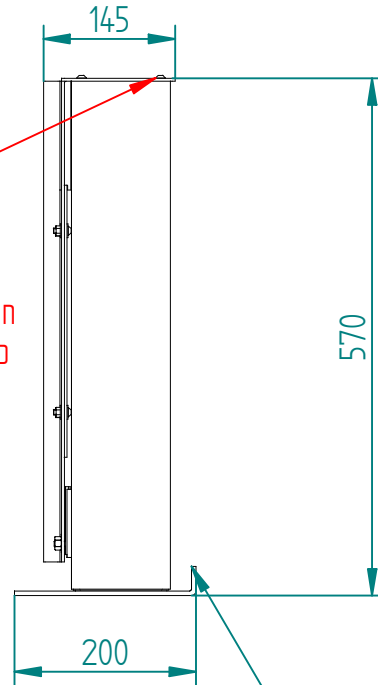


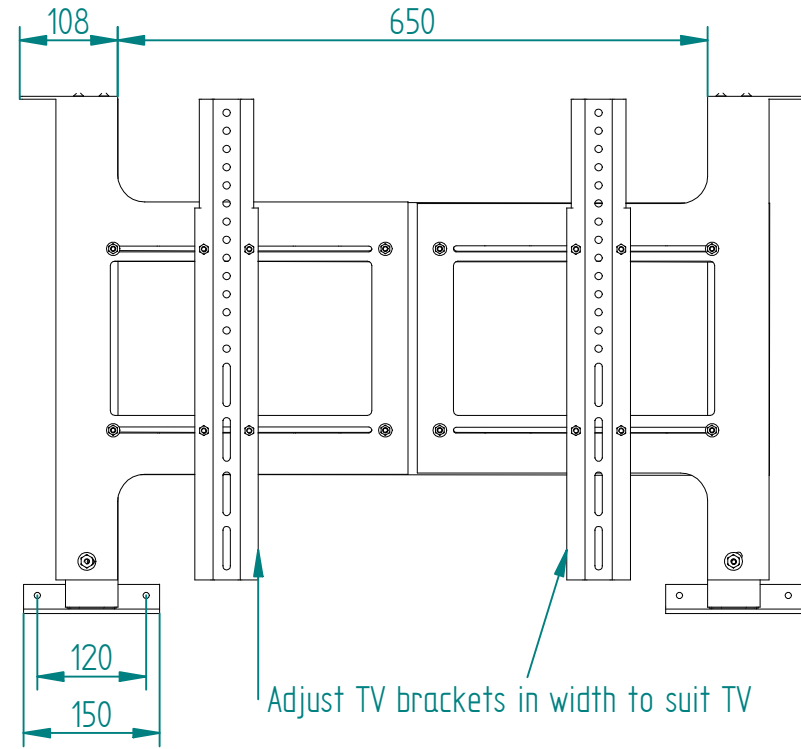
WARNING: Moving parts, beware of entrapment areas

570mm closed height
1245mm open height
Travel:675mm

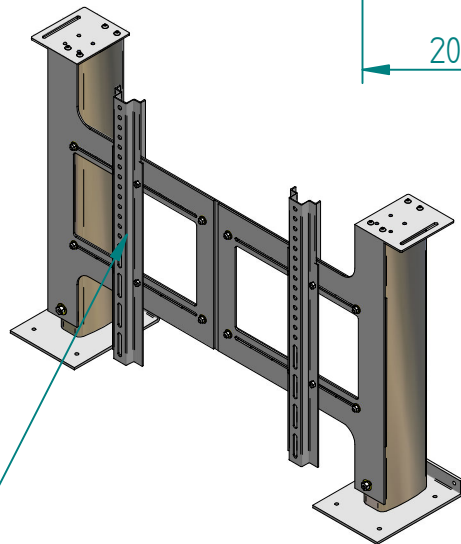
If using a hinged lid fasten felt strip or similar to top and back of post so it doesn't scratch underside of lid.



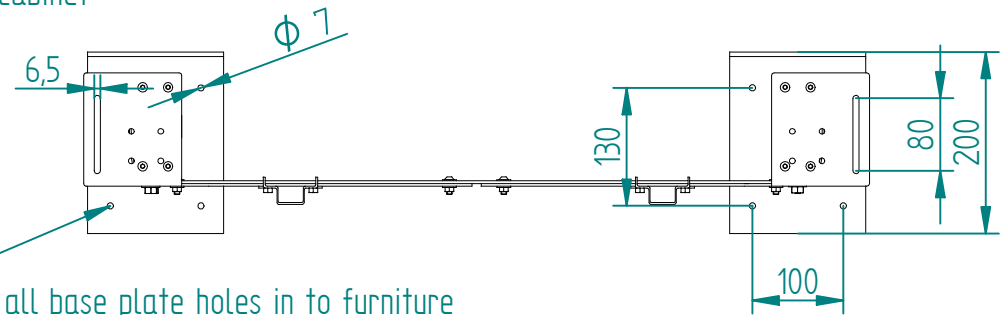
This face to rear of cabinet



Adjust TV brackets in width to suit TV



Indicative layout for TV mounted on this face



Secure all base plate holes in to furniture

© Copyright all rights reserved.

This drawing is the property of Ergomotion Pty Ltd. It may not be copied in whole or part nor can it be used for the manufacture of any equipment described without written permission of Ergomotion. Ergomotion reserves the right to change, without notice, the specifications and materials contained in this drawing and shall not be responsible for any damages (including consequential) caused by reliance on the information presented.

Nov 09	Rev 01	Holes in to mounting plates to assist with cable connections	GT
Date	Revision	Description	Drawn By
Unless otherwise specified dimensions are in millimeters	Finish: Black (RAL9005) Powdercoat	Material: 3&5mm Thick Mild Steel	Sheet 1 of 1
Customer:	ergomotion PO Box 234, East Bentleigh, VIC, 3165 +61 3 95791454		TITLE:Technical assembly of motiontv-DL442 (Rev 01)
Designed by Guy Topolansky	Drawing number:		