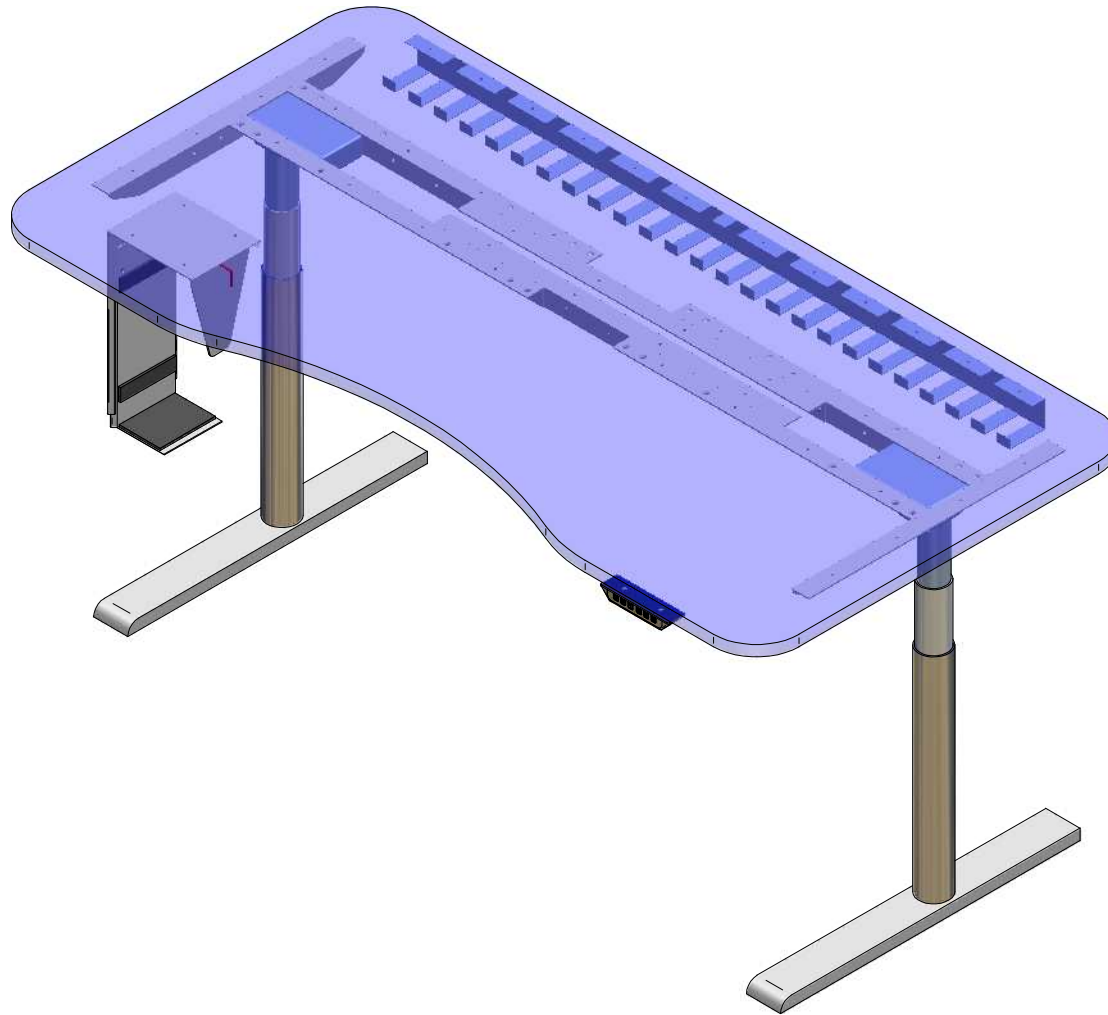


WARNING: Moving parts, beware of entrapment areas



motiondesk2-DL14

660mm electric adjustment
580mm to 1240mm (from floor level)
140kg total lift capacity
15 seconds from sit to stand
Optional multiple Memory positions
Optional cable tray
Optional CPU Holder
Piezo Anti-Collision built into system
Available to suit all desk sizes
Frame available in black or silver pearl
2 year warranty on electrics
10 year warranty on frame

© Copyright all rights reserved.
This drawing is the property of Ergomotion Pty Ltd. It may not be copied in whole or part nor can it be used for the manufacture of any equipment described without written permission of Ergomotion.

Customer:

Date:

ergomotion

PO Box 234, East Bentleigh, VIC, 3165
+61 3 95791454

TITLE: motiondesk2-DL14

Designed by Guy Topolansky