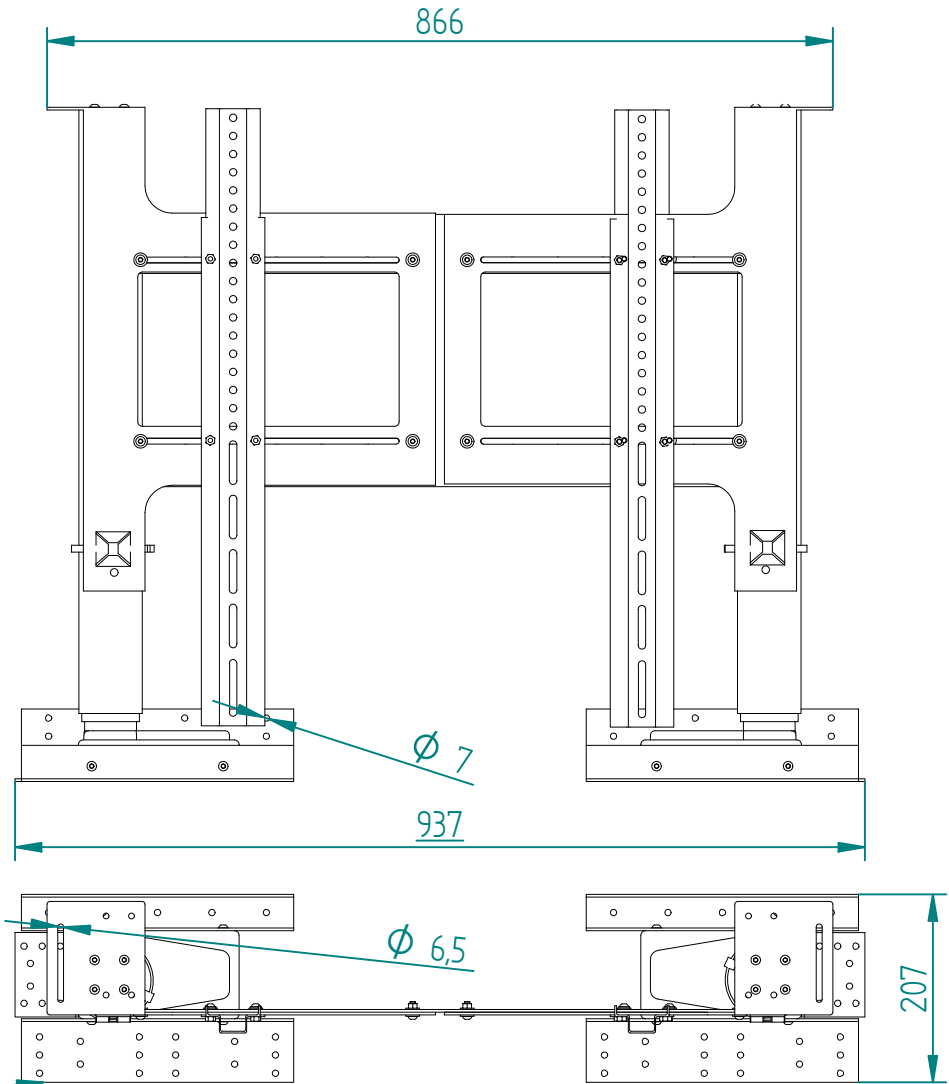
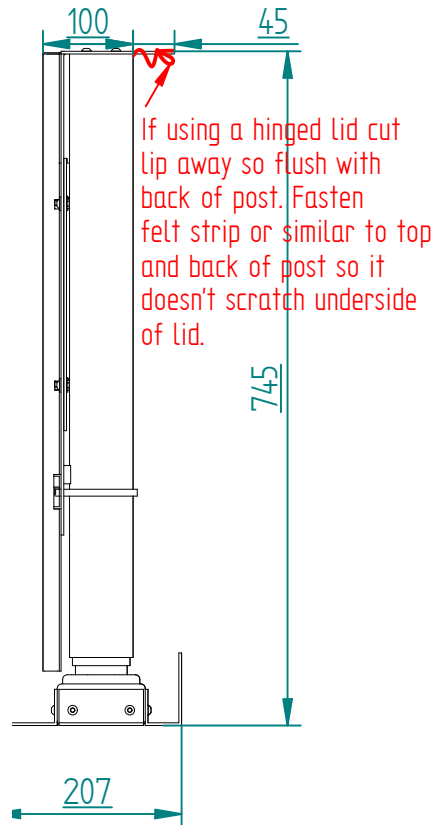
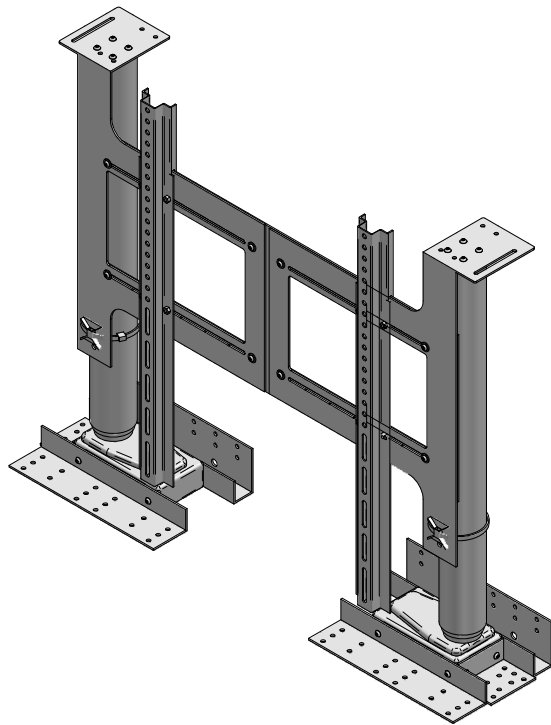


Warning: Moving parts, beware of entrapment areas

Closed Height: 745mm
Open Height: 1710mm



Secure base plate into furniture

July 22	Rev 02	Extended TV back brackets	GT
Nov 09	Rev 01	Holes in to mouting plates to assist with cable connections	GT
Date	Revision	Description	Drawn By
Unless otherwise specified dimensions are in millimeters		Finish: Black (RAL9005) or Grey (RAL9006) Powdercoat	Material: 3mm Thick Mild Steel
		Sheet 1 of 1	
Customer:		ergomotion PO Box 234, East Bentleigh, VIC, 3165 +61 3 95791454	
Designed by Guy Topolansky		TITLE: Technical layout of motiontv-DL1160 (Rev 02)	
		Drawing number:	

© Copyright all rights reserved.
This drawing is the property of Ergomotion Pty Ltd. It may not be copied in whole or part nor can it be used for the manufacture of any equipment described without written permission of Ergomotion. Ergomotion reserves the right to change, without notice, the specifications and materials contained in this drawing and shall not be responsible for any damages (including consequential) caused by reliance on the information presented.