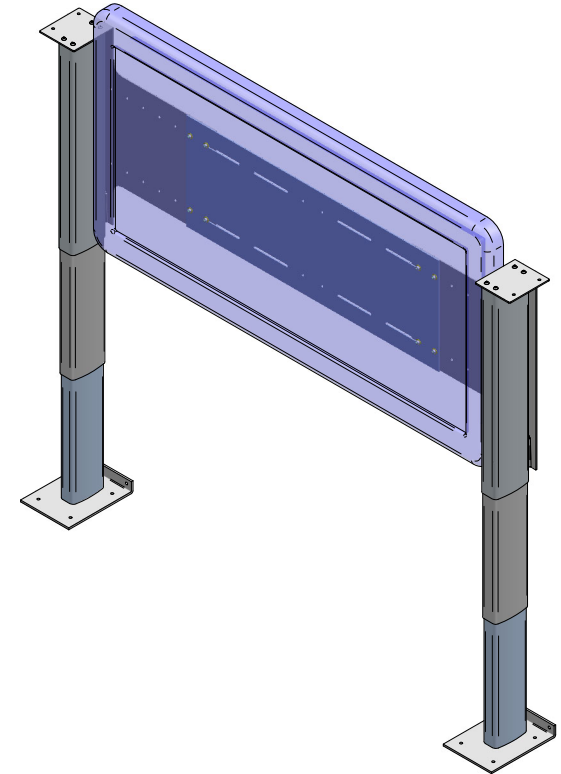
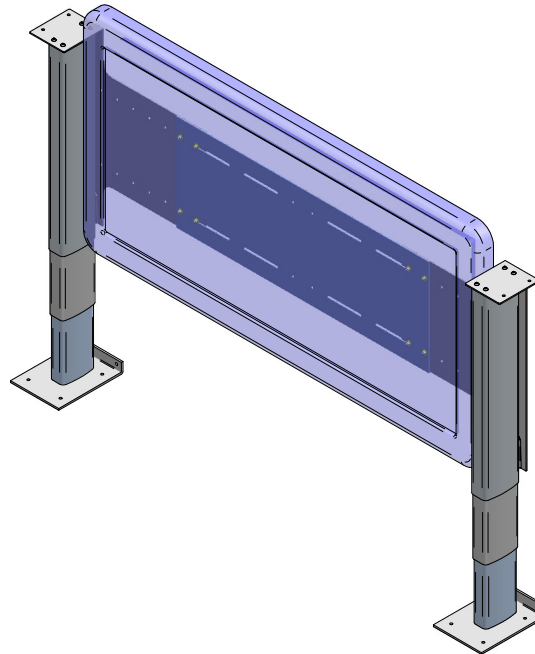
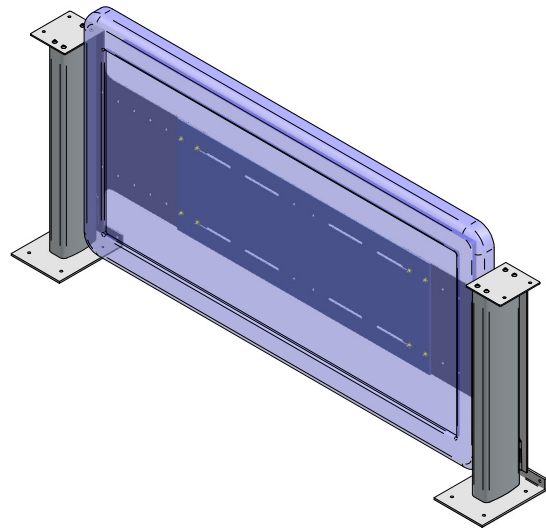


**WARNING:** Moving parts, beware of entrapment areas

- 140kg lift capacity
- Quiet operation
- Optional Remote control
- Mountable between legs or in front of legs
- 2 year warranty on electrics
- 1 year warranty on frame



© Copyright all rights reserved.  
This drawing is the property of Ergomotion Pty Ltd. It may not be copied in whole or part nor can it be used for the manufacture of any equipment described without written permission of Ergomotion.

Customer:

Date:

**ergomotion**

PO Box 234, East Bentleigh, VIC, 3165  
+61 3 95791454

**TITLE: motiontv with TV between frame**

Designed by Guy Topolansky