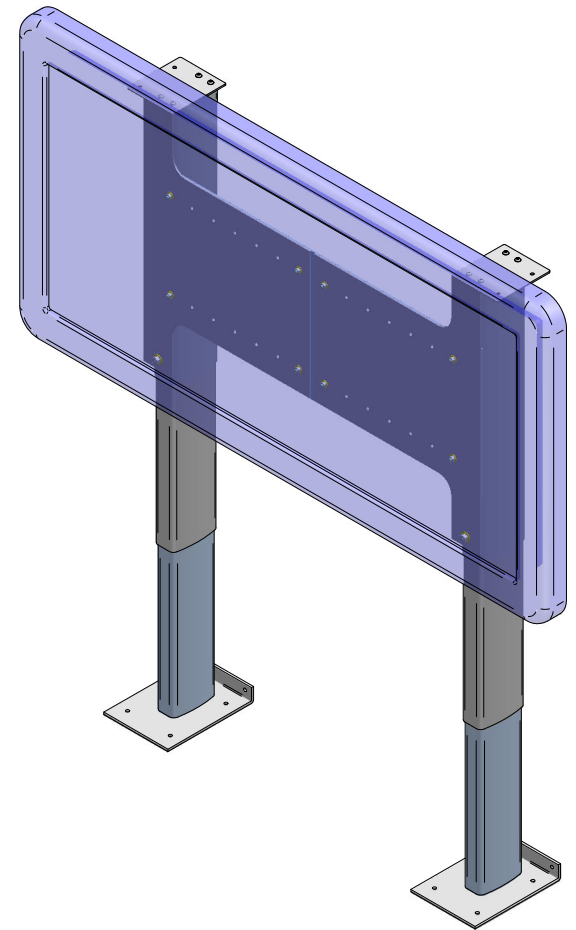
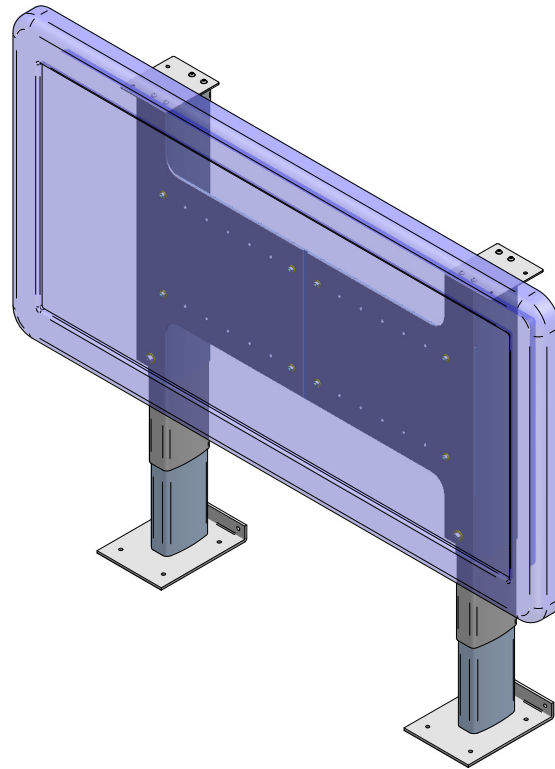
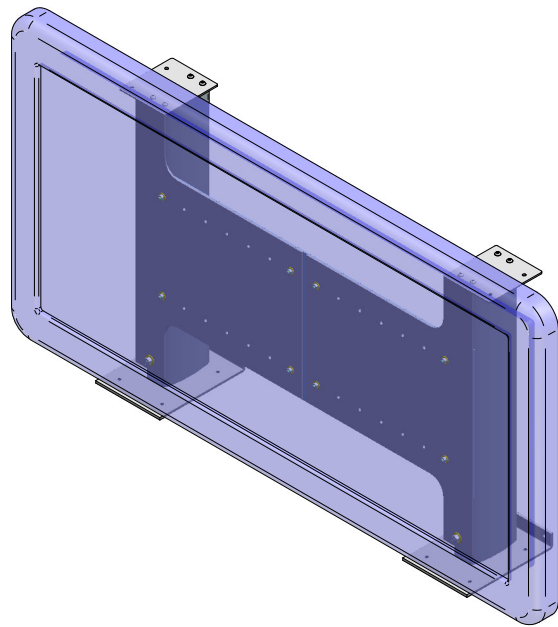


WARNING: Moving parts, beware of entrapment areas

- 140kg lift capacity
- Quiet operation
- Optional Remote control
- Mountable between frame or in front of frame
- 2 year warranty on electrics
- 10 year warranty on frame



© Copyright all rights reserved.
This drawing is the property of Ergomotion Pty Ltd. It may not be copied in whole or part nor can it be used for the manufacture of any equipment described without written permission of Ergomotion.

Customer:

Date:

ergomotion

PO Box 234, East Bentleigh, VIC, 3165
+61 (3) 95791454

TITLE: motiontv with TV in front of frame
Designed by Guy Topolansky